



KONICA MINOLTA

AccurioLabel 230

**YOU WANT PROFITABLE
LABEL PRODUCTION IN
SMALL BATCHES**
RETHINK LABEL PRINTING



Colour narrow web
digital label press

Giving Shape to Ideas

OUTSTANDING QUALITY

Resolution on a Par with Offset

- Excellent resolution of 1,200 dpi x 8 bit produces a high-precision finish

Feeding Speed Detection

- Equipped with a speed detector, AccurioLabel 230 recognises the media feeding speed ensuring highly accurate print registration

Web Cleaning System

- The Web Cleaning System helps to remove any dust or small particles that can affect the print quality

Colour Consistency

- Image density control technology
- Advanced colour management tools

HIGH PRODUCTIVITY

Printing Speed

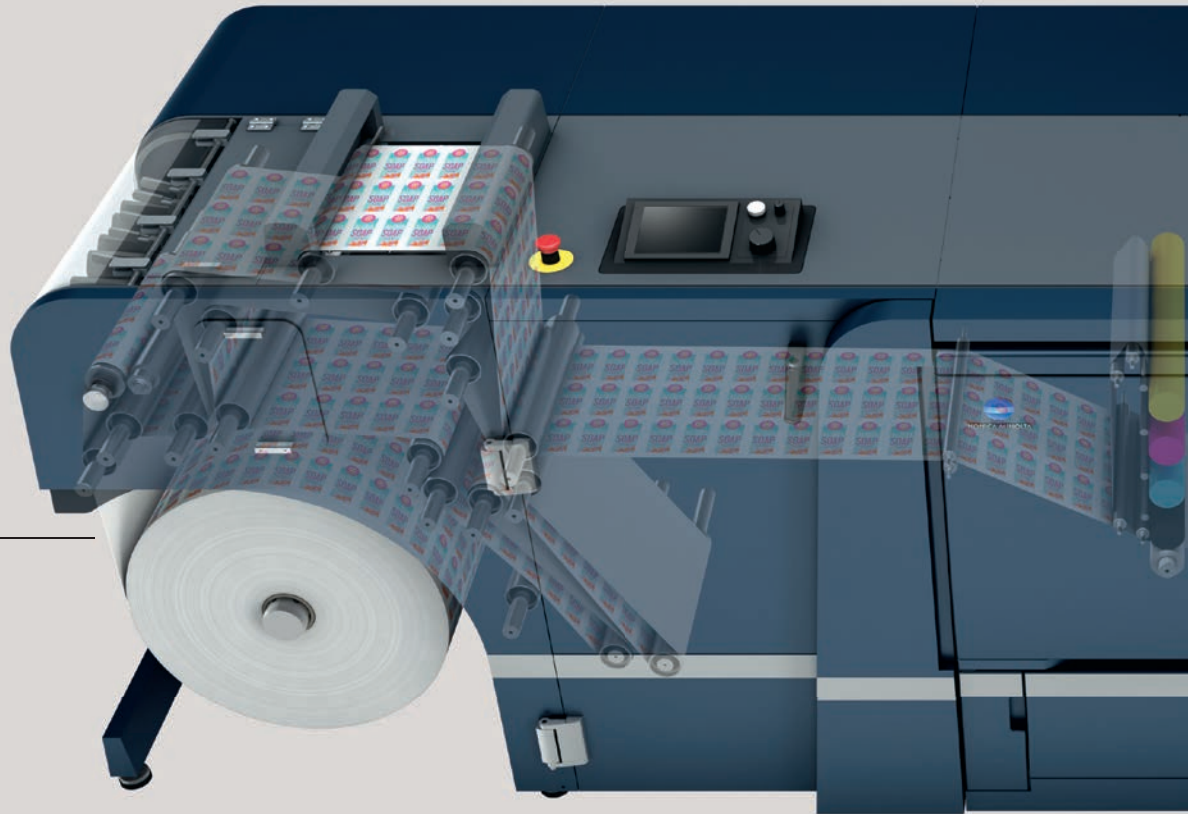
- AccurioLabel 230 prints at a max. speed of 23.4 m/min
- Most tack papers & films [PP, PET, YUPO] can be printed on at max. speed [120 - 160µm thickness]

Warm Up Time

- No waiting time between jobs
- Minimize paper waste and improve profitability

Easy Alignment of Paper Web

- AccurioLabel 230 has web guides on both unwinder and rewinder for optimal and accurate feeding of the media.



**YOUR ADVANTAGES WITH
THE AccurioLabel 230**
RETHINK LABEL PRINTING

PRINT JOB VARIETY

Overprinting

- With its Overprinting Kit, AccurioLabel 230 can overprint on preprinted media

Two Different Paper Widths

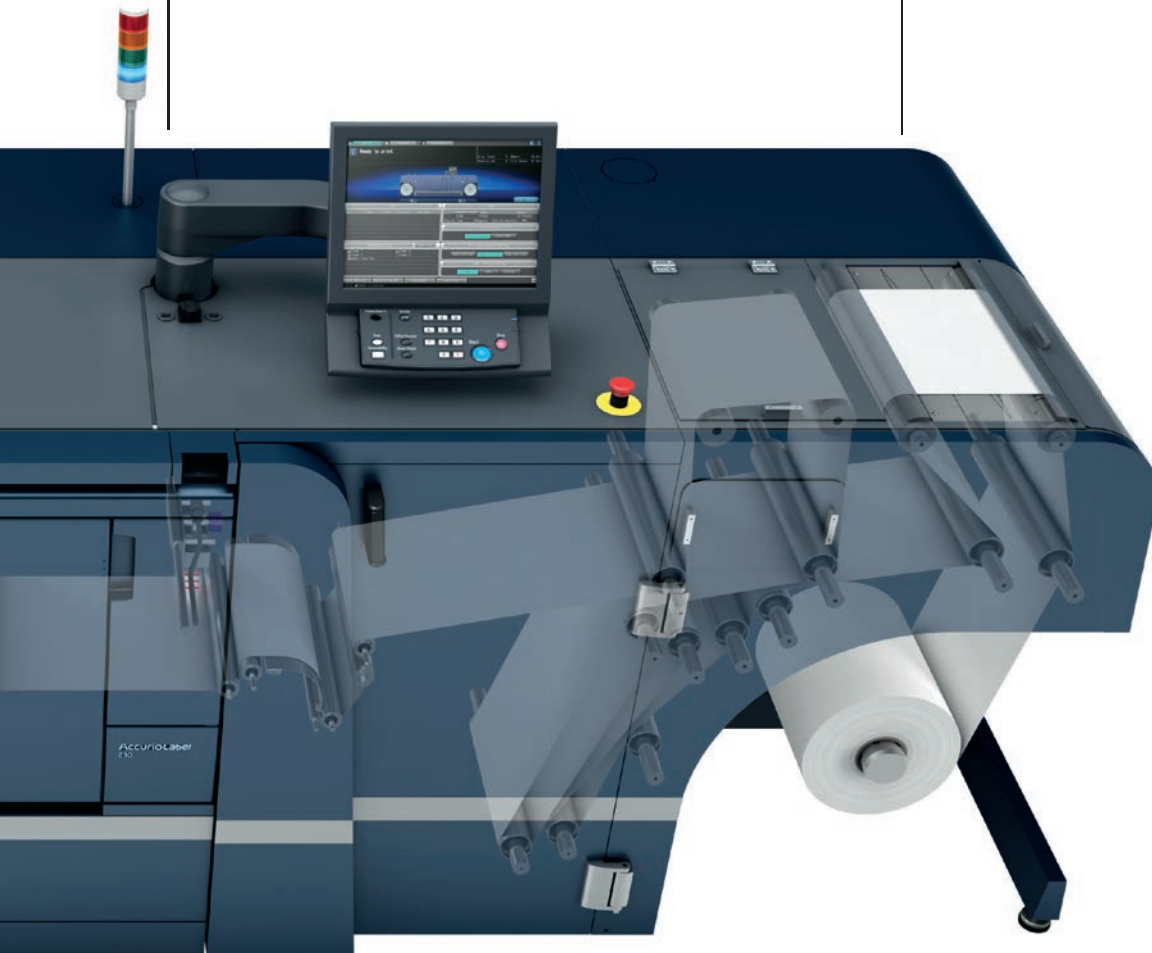
- The AccurioLabel 230 can be adjusted to two different paper widths between 250 and 330 mm by replacing key components

JDF/JMF

- AccurioLabel 230 is JDF/JMF compatible.

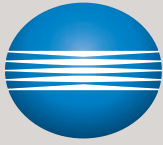
EASE OF USE

- Maintenance tasks on the AccurioLabel 230 are simple and can be performed in a very short amount of time
- Tasks that are time-consuming on analogue machines, such as colour adjustments, are quickly and easily performed on this digital press
- Operation is intuitive by following on-screen instructions; no need for extensive user training
- Frees operator time and allows them to perform other tasks

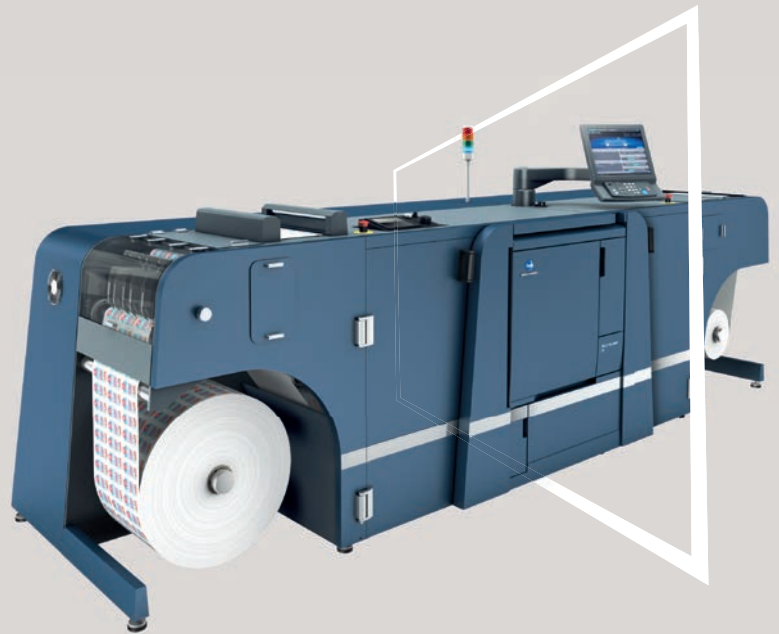


HIGH MEDIA COMPATIBILITY

- No pre-coating of media required
- No special media is required



KONICA MINOLTA



TECHNICAL SPECIFICATIONS

RETHINK LABEL PRINTING

System specifications

Technology	Dry Toner Electrophotography
Resolution	1,200 x 1,200 dpi x 8 bit 1,200 x 3,600 dpi equivalent
Paper widths	250 mm to 330 mm
Max. printed image size	1,195 x 320 mm
Max. printed image width	320 mm
Grammage / substrate thickness	81 to 256 g/m ²
Possible substrates	Paper, YUPO, PP, PET
Feeding speed (printing speed)	23.4 m/min., 18.9 m/min., 13.5 m/min., 9.45 m/min. Speed depends on the paper type (standard speed: 23.4 m/min)
Unit dimensions (W x D x H)	3,869 x 1,141 x 1,478 mm
Unit weight	942 kg
Web control	Integrated web guide system (BST) on unwinder and rewinder
Converting	Capability to connect selected finishing devices

Controller

Internal Konica Minolta Controller IC-605B

Options

Overprinting Kit

Web Cleaning System

Air Compressor (if no air supply available on site)

Length-slitting Crush Cutter

- The support and availability of the listed specifications and functionalities varies depending on operating systems, applications and network protocols as well as network and system configurations.
- The actual life of each consumable will vary depending on use and other printing variables including coverage, size, media type, ambient temperature and humidity.
- Specifications are based on the information available at the time of printing and are subject to change without notice.
- Konica Minolta does not warrant that any specifications mentioned will be error-free.
- All brand and product names may be registered trademarks or trademarks of their respective holders and are hereby acknowledged.